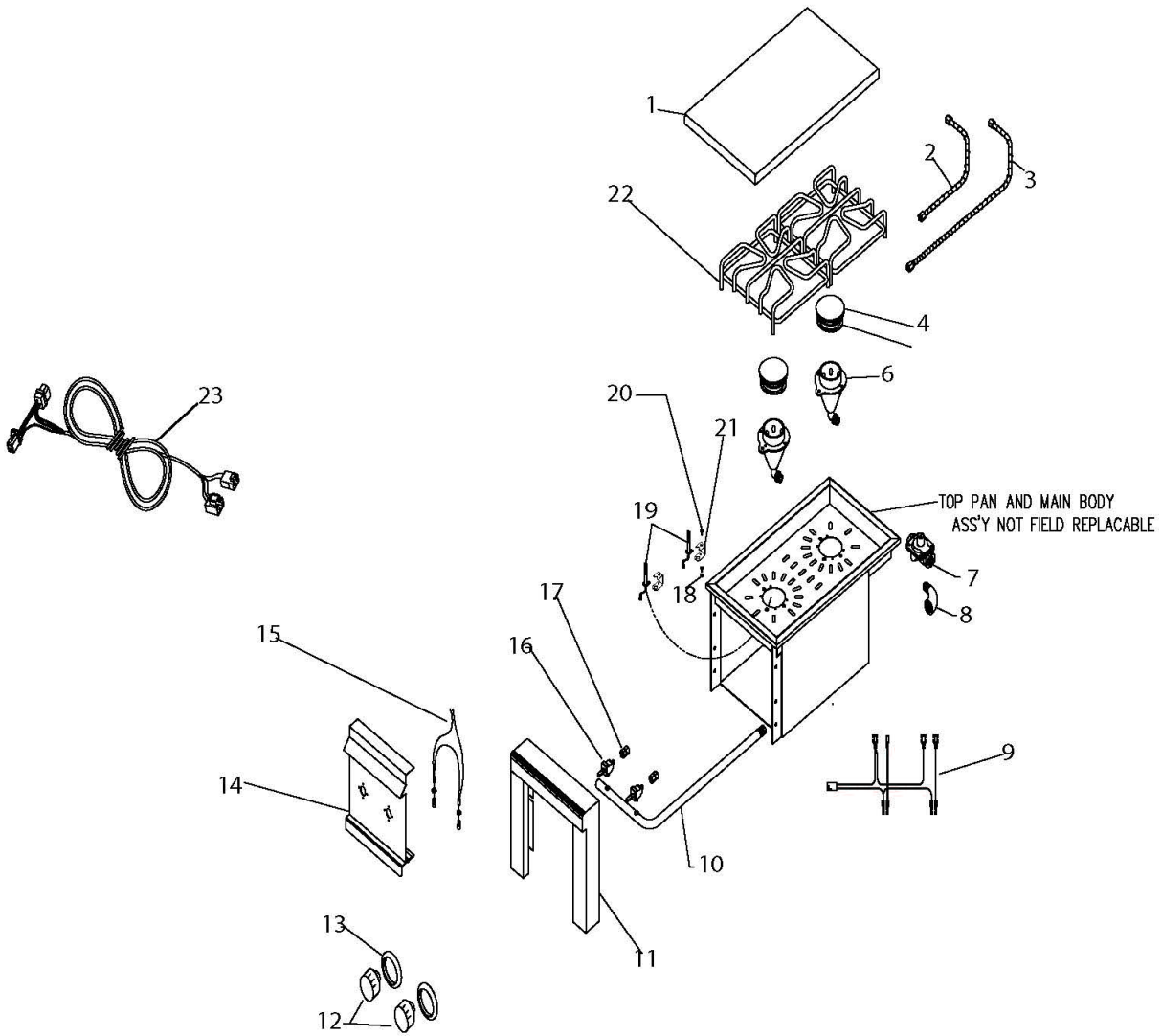


# LSB2-2 Parts Breakdown

Click on any item, then add the part to your cart. If it won't click, the part is not available. If the part is not available, please call us at: 888.988.4546



Item	Part No.	Name	Qty	Uom	NOTES
1	70045	REMOVEABLE COVER	1	EA	
2	32836	FLEX TUBE, S/S, 3/8" X 9"	1	EA	
3	32837	FLEX TUBE, S/S, 3/8" X 24"	1	EA	
4	32231	BRASS CAP	2	EA	
5	32232	ALUM INSERT	2	EA	
6	33414	ALUM. BURNER BODY ONLY	2	EA	
Not Shown	32677	BURNER KIT + CAP, NG	2	EA	
Not Shown	32678	BURNER KIT + CAP, LP	2	EA	
Not Shown	31034	ORIFICE ONLY NG #185	2	EA	
Not Shown	31035	ORIFICE ONLY LP #115	2	EA	
7	30781	REGULATOR 4/11 N/G ONLY	1	EA	
8	13010	ELBOW, STREET, 1/2" 90 DEGREE-NG ONLY	1	EA	
9	70061	IGNITION WIRE HARNESS ASSY	1	EA	
10	80238	MANIFOLD COMPLETE ASSY	1	EA	
11	80519	BULLNOSE ASSY	1	EA	
12	90137	KNOB BURNER STAINLESS	2	EA	
13	10001	BEZEL	2	EA	
Not Shown	31929	BEZEL SCREW, #6-32 X 1/8 PH PAN	4	EA	
14	70072	FRONT PANEL - LIGHTED	1	EA	
15	70053	LED HARNESS ASSY	1	EA	
16	34103	MAIN BURNER VALVE W/MICROSWITCH	2	EA	
17	14001	ADAPTER 1/8" FTP X 3/8	2	EA	
18	14024	LOCK NUT, #8-32, SIS	2	EA	
19	33052	IR ELECTRODE, HOT SURFACE	2	EA	
20	14014	SCREW #8-32 x 3/8 PH TRUSS HEAD S/S	2	EA	
21	33159	IGNITER BRACKET	2	EA	
22	17015	SPIDER GRATE	2	EA	
23	70040	MAIN POWER HARNESS	1	EA	